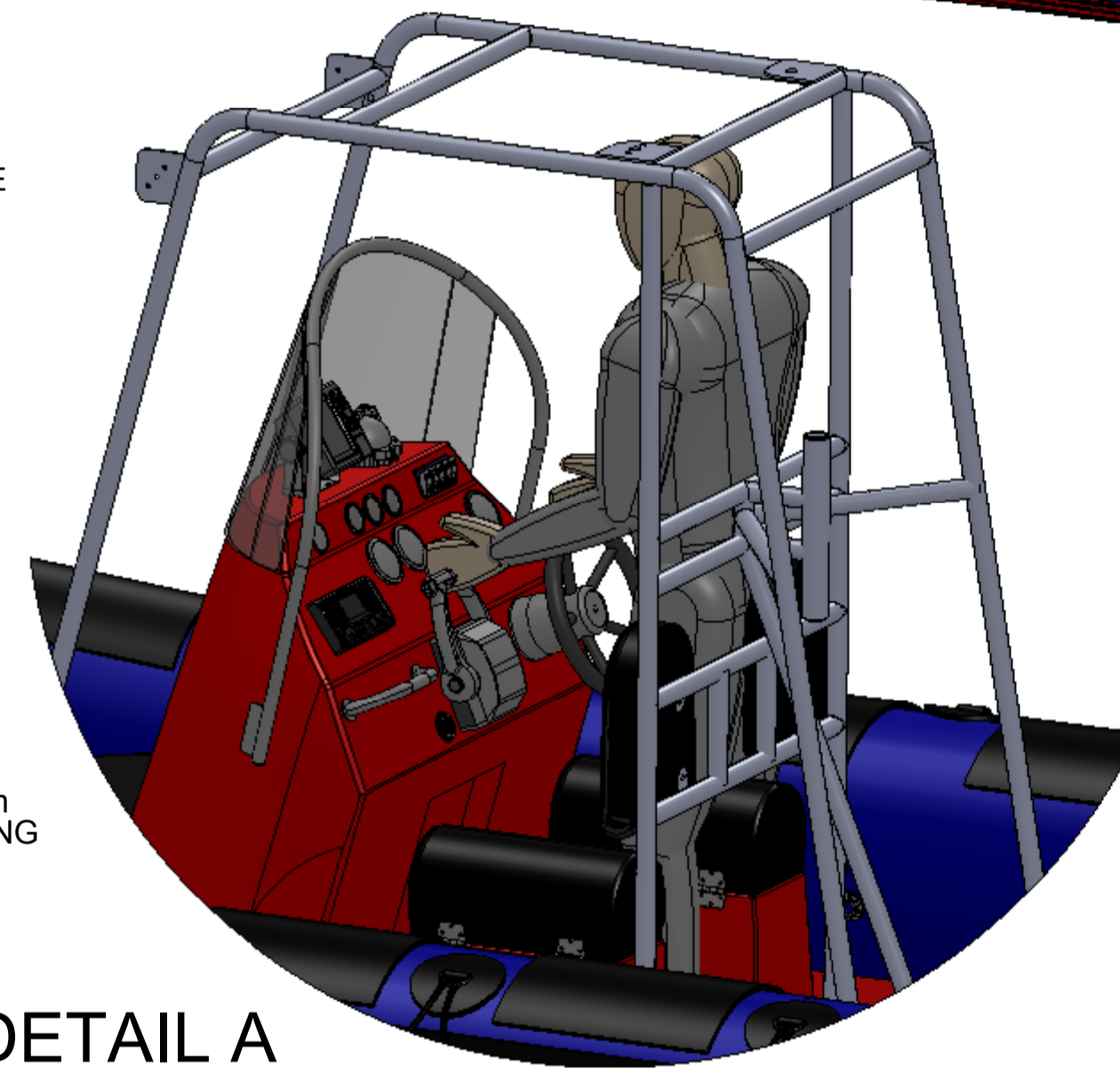
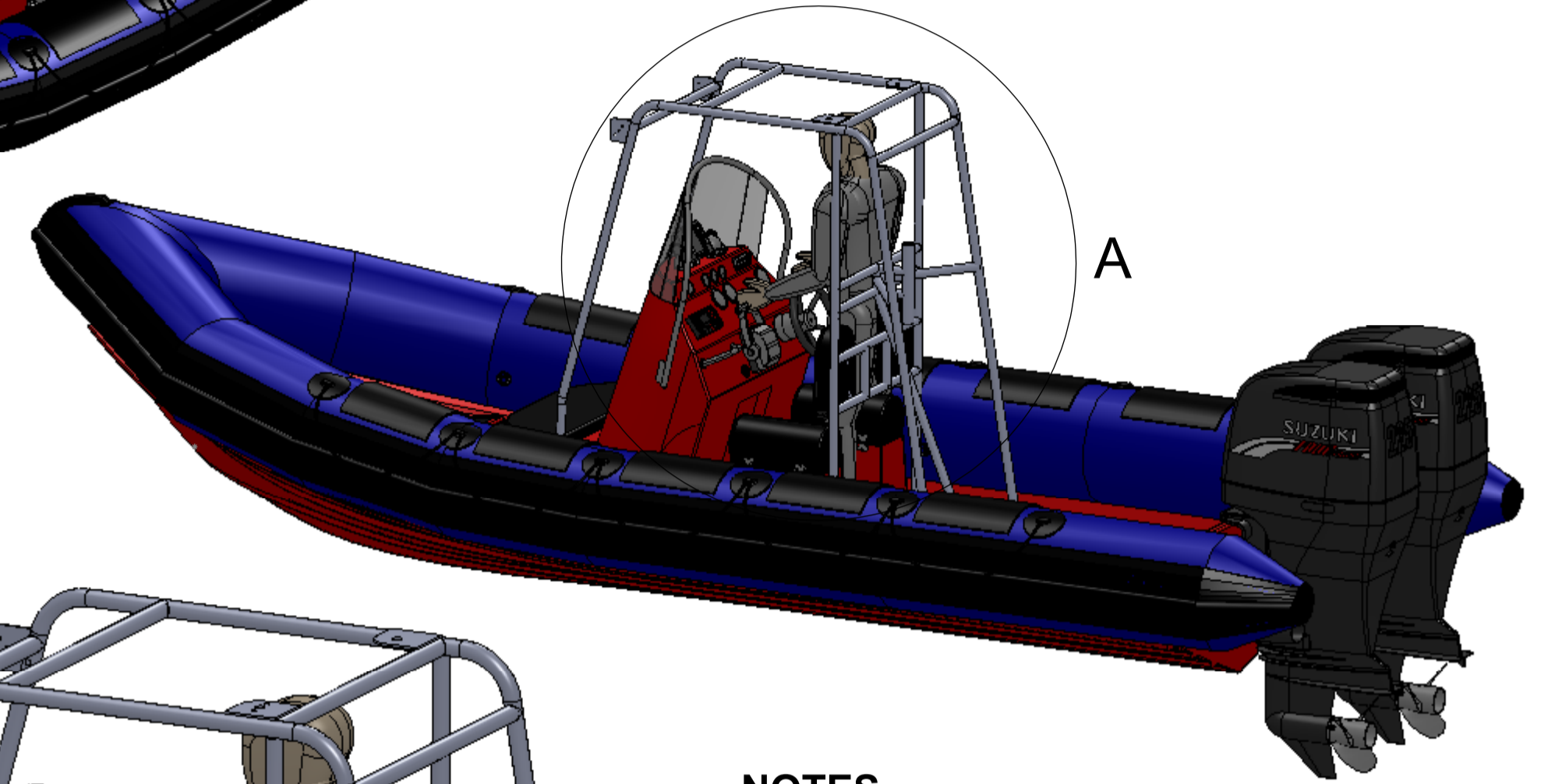
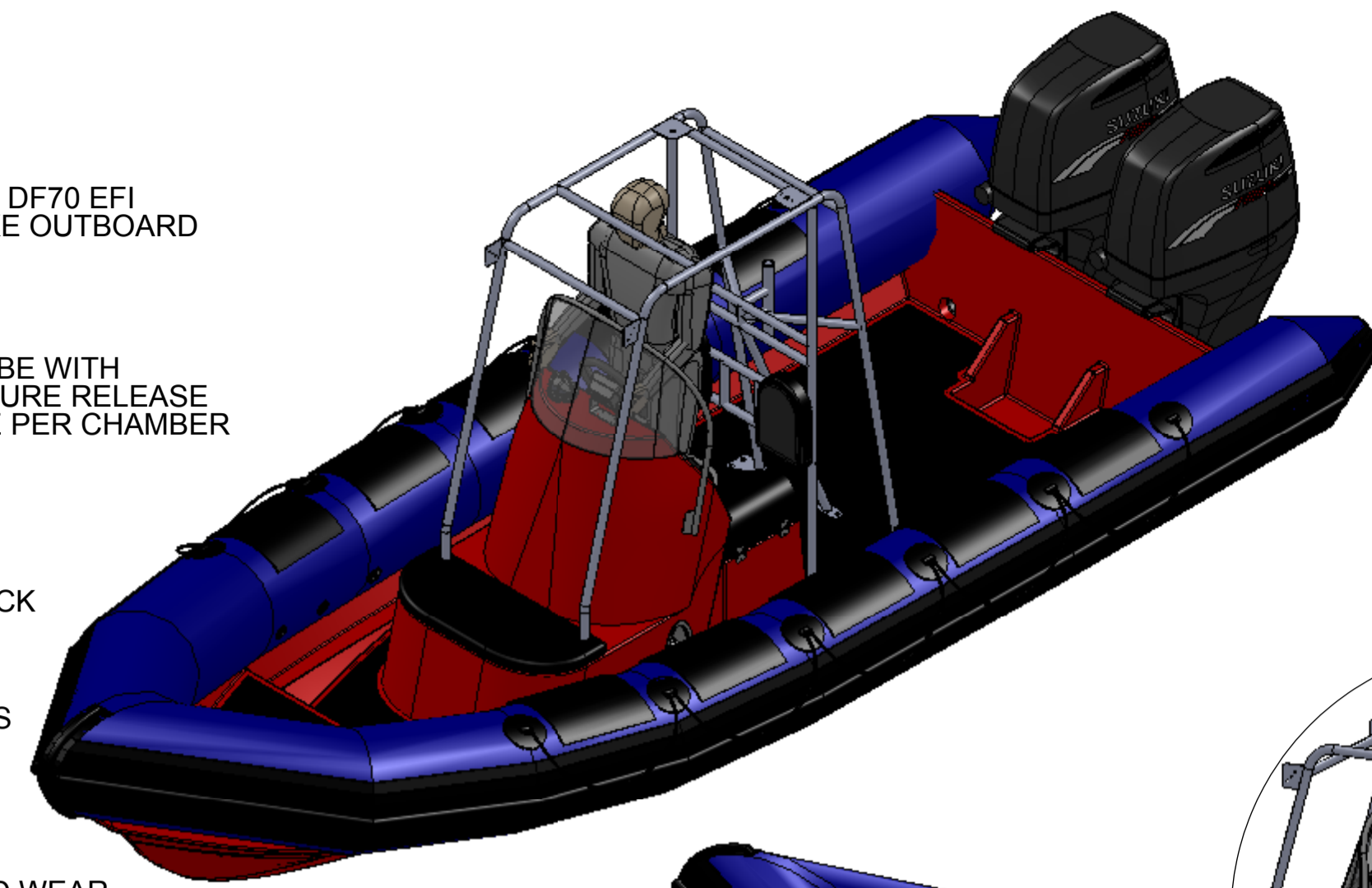
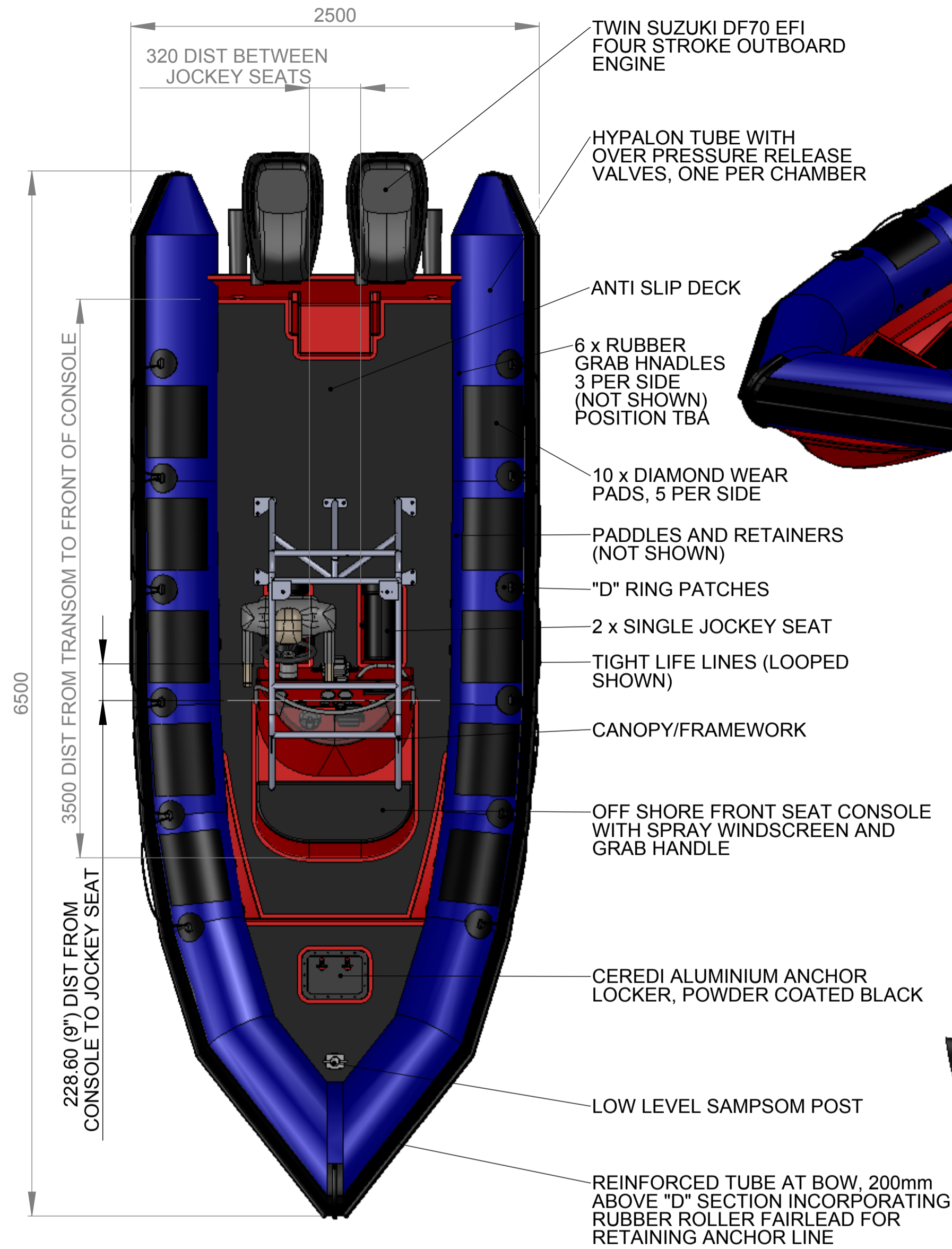
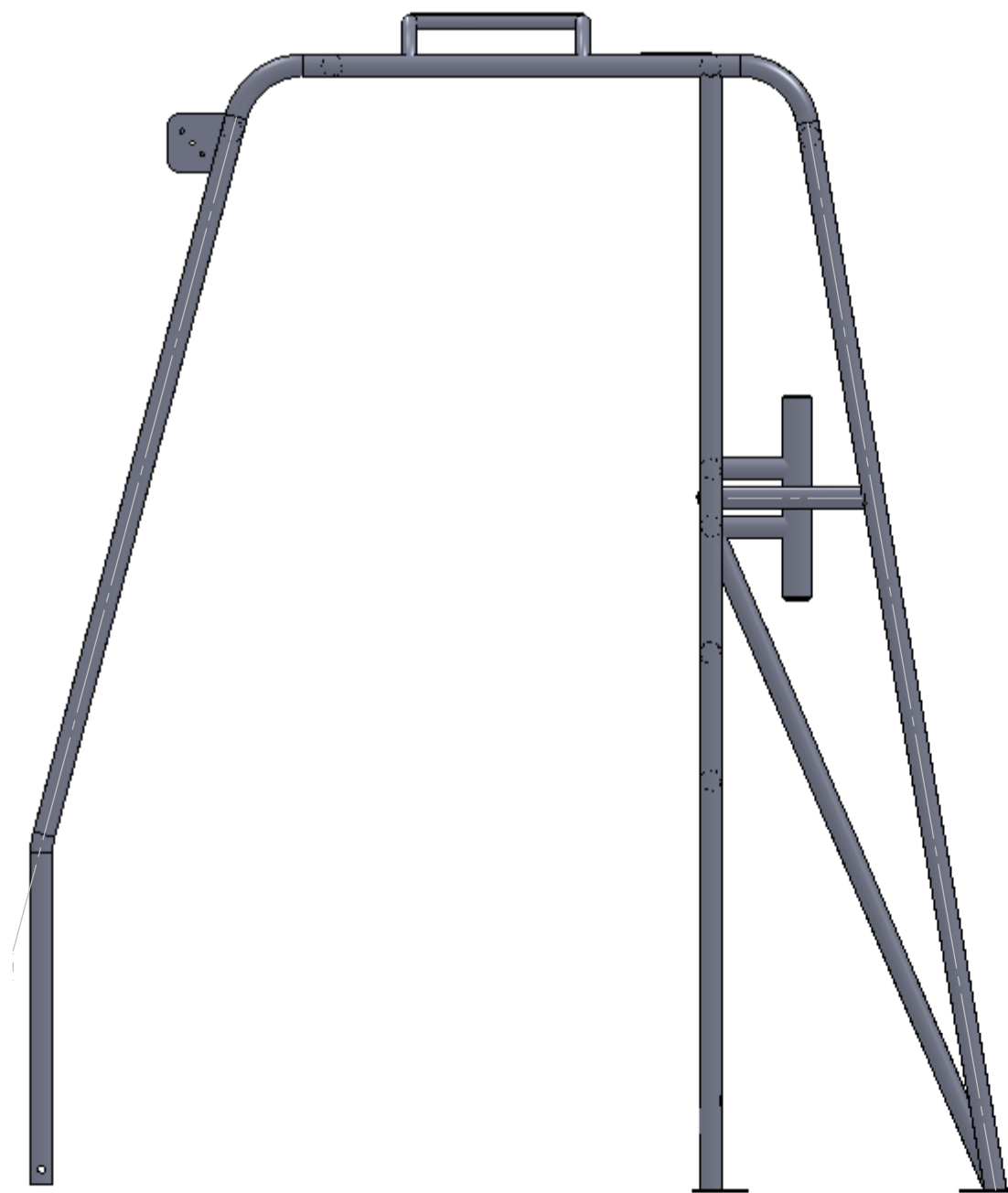
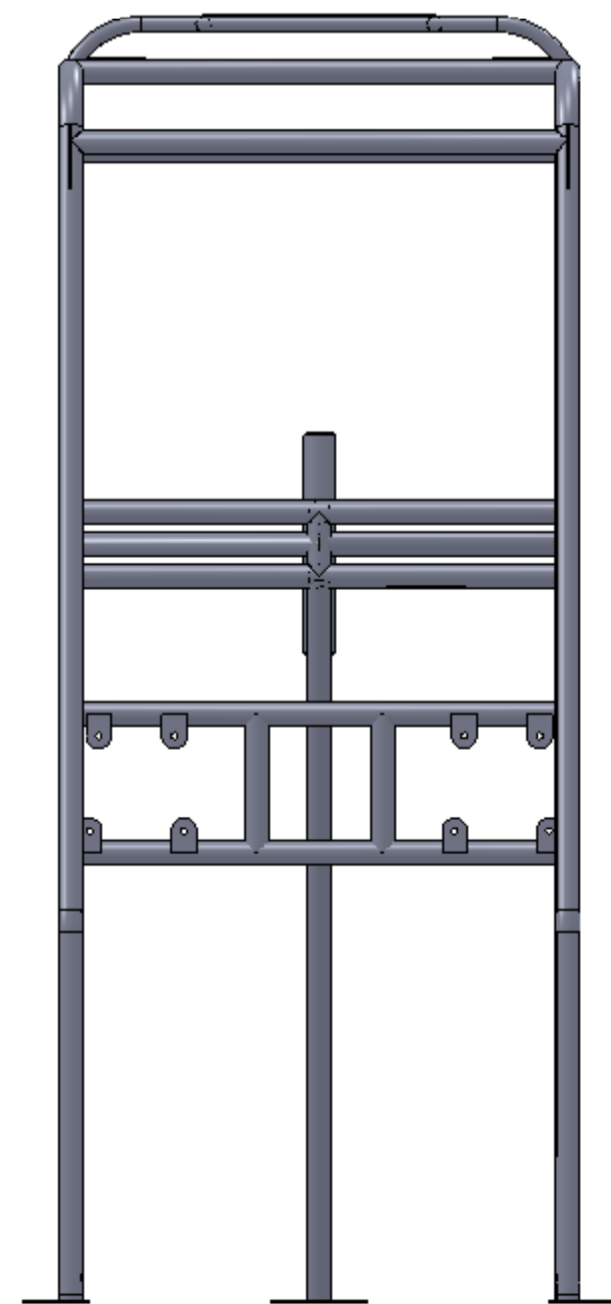
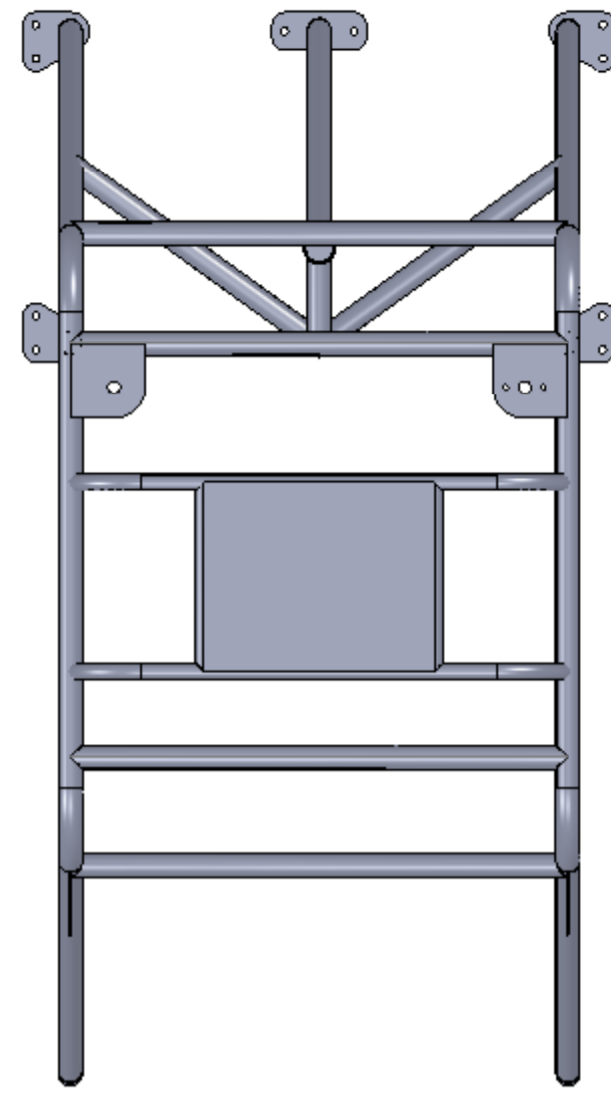


REMOVE ALL BURRS AND SHARP EDGES.

THIRD ANGLE PROJECTION

REVISIONS		
REV.	DESCRIPTION	DATE
1	FIRST ISSUE	27/08/2009

# 6.5m PATROL BOAT



DETAIL A  
SCALE 2 : 25



KEELGAURD RUNNING THE FULL LENGTH OF THE HULL



## NOTES

- HULL - RED
- DECK (ANTI-SLIP) - BLACK
- UPHOLSTERY - BLUE
- POD SEATS - RED
- BENCH SEAT - N/A
- CONSOLE - RED
- TUBE - OCEAN BLUE  
RUB STRIP - BLACK  
WEAR PADS - BLACK  
"D" RING TUBE PADS - BLACK  
ROPE - BLACK  
GRAB HANDLE - 6 x GREY RUBBER  
BOW SNUBBER - BLACK  
SELF RIGHTING BAG - N/A  
LOGO - TBA
- ALL TUBE WORK IS MIRROR POISHED 316 GRADE STAINLESS STEEL
- TWIN 304 STAINLESS STEEL FUEL TANK MOUNTED UNDER DECK, 20 GALLON (180ltrs TOTAL)
- UNDER DECK TRUNKING FOR CABLES
- EXTRA'S - TBA
- TRAILER - RAPIDE R4B61
- TWIN "SEASTAR" HYDRULIC STEERING



NAME	DATE	EDWARD CLOSE, HOUNDSTONE BUSINESS PARK YEovil, SOMeSET, UK, BA22 8RU Tel : 01935 411 846, Web : www.ribcraft.co.uk email : sales@ribcraft.co.uk
DRAWN	CDG	
CHECKED		
APP'VD		

GENERAL TOLERANCES UNLESS STATED OTHERWISE. ALL DIMENSIONS ARE IN MILLIMETERS		TITLE : 6.5m PATROL BOAT
LINEAR : ± 0.5mm	ANGULAR : ± 5 DEGREES	TENDER No. : RFTQ
SURFACE FINISH :		FINISH : -
SCALE: 1:25		CRAFT : 6.5m
DRG NO : RCL00105		SHEET 1 OF 1

DO NOT SCALE IF IN DOUBT, ASK