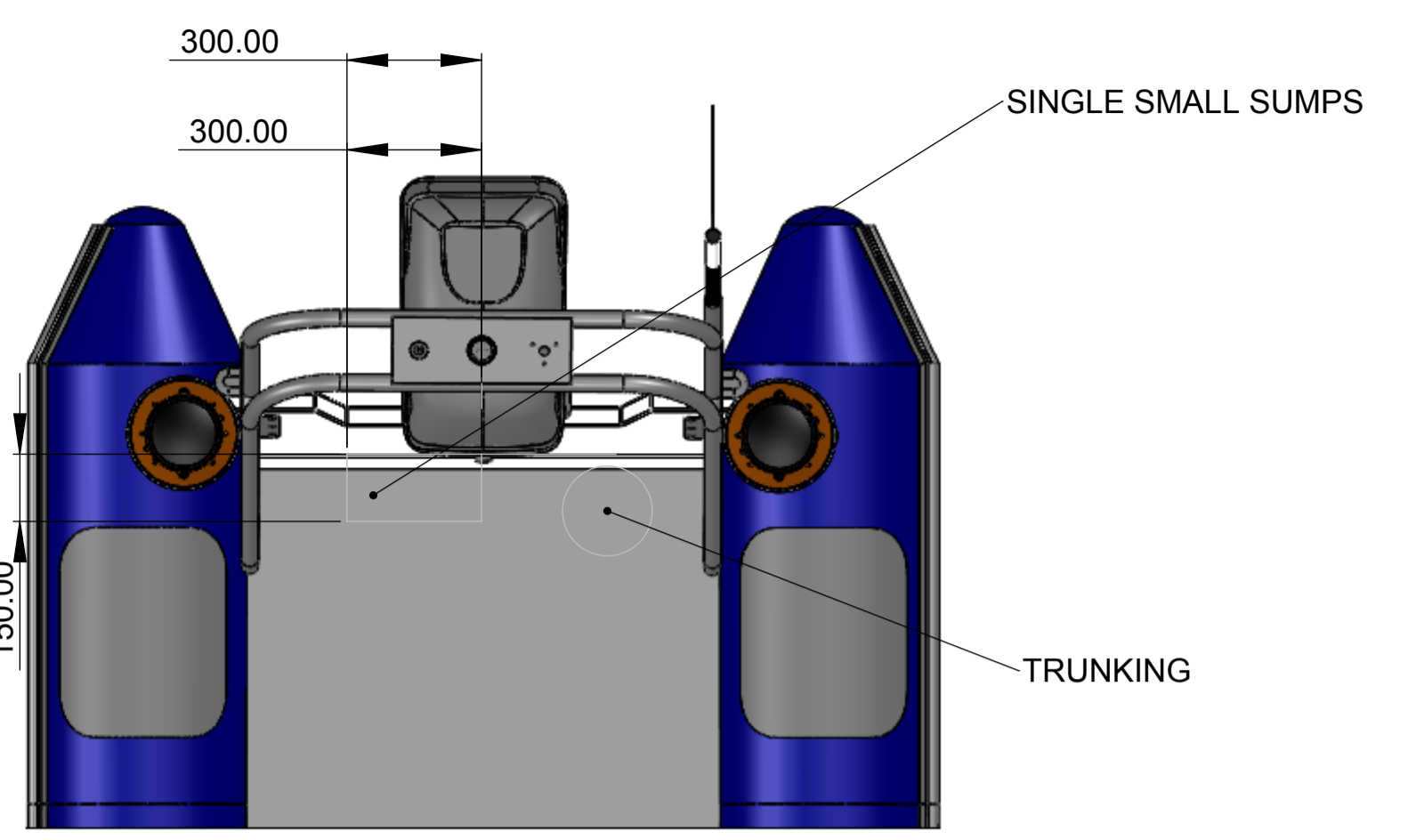
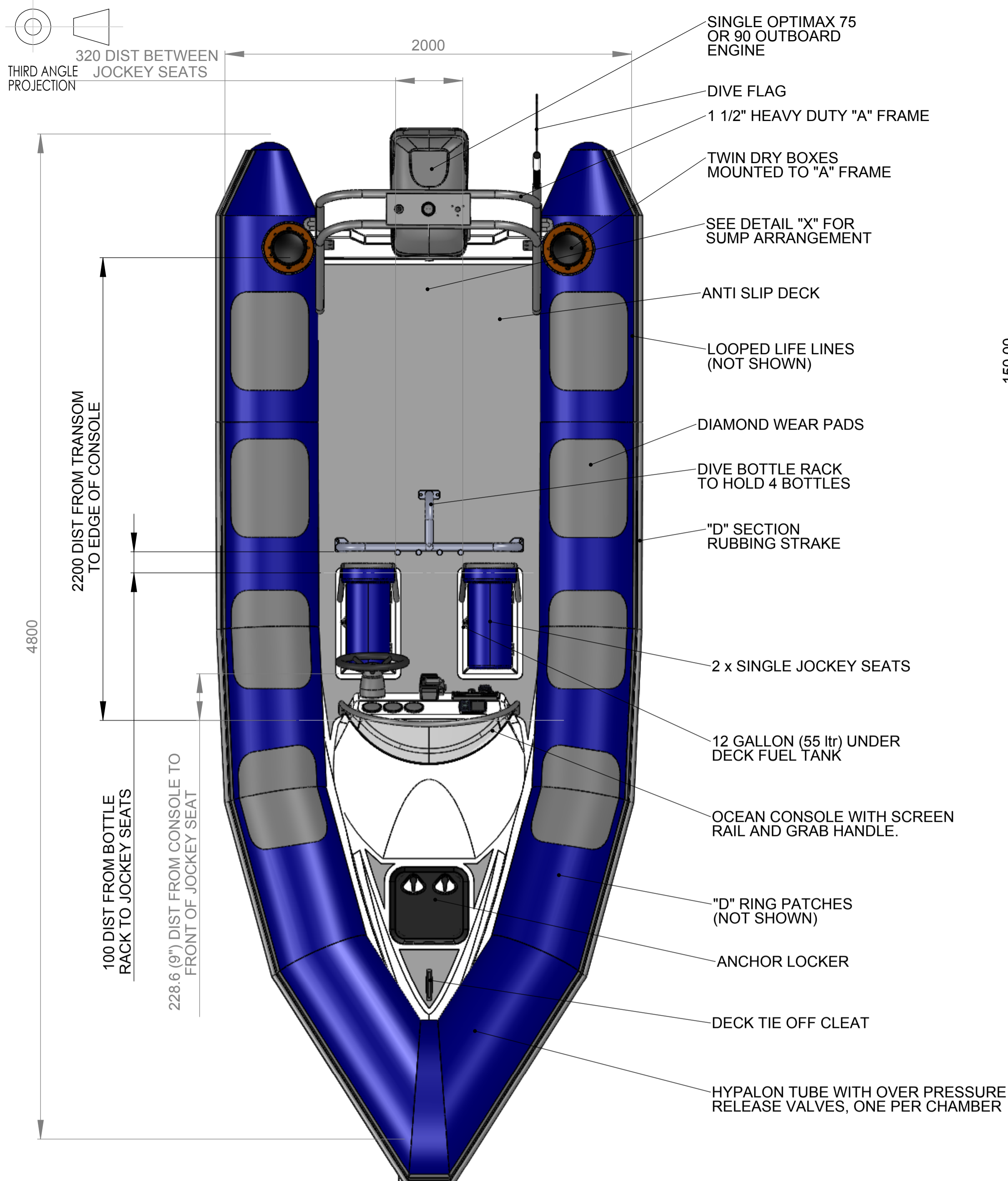
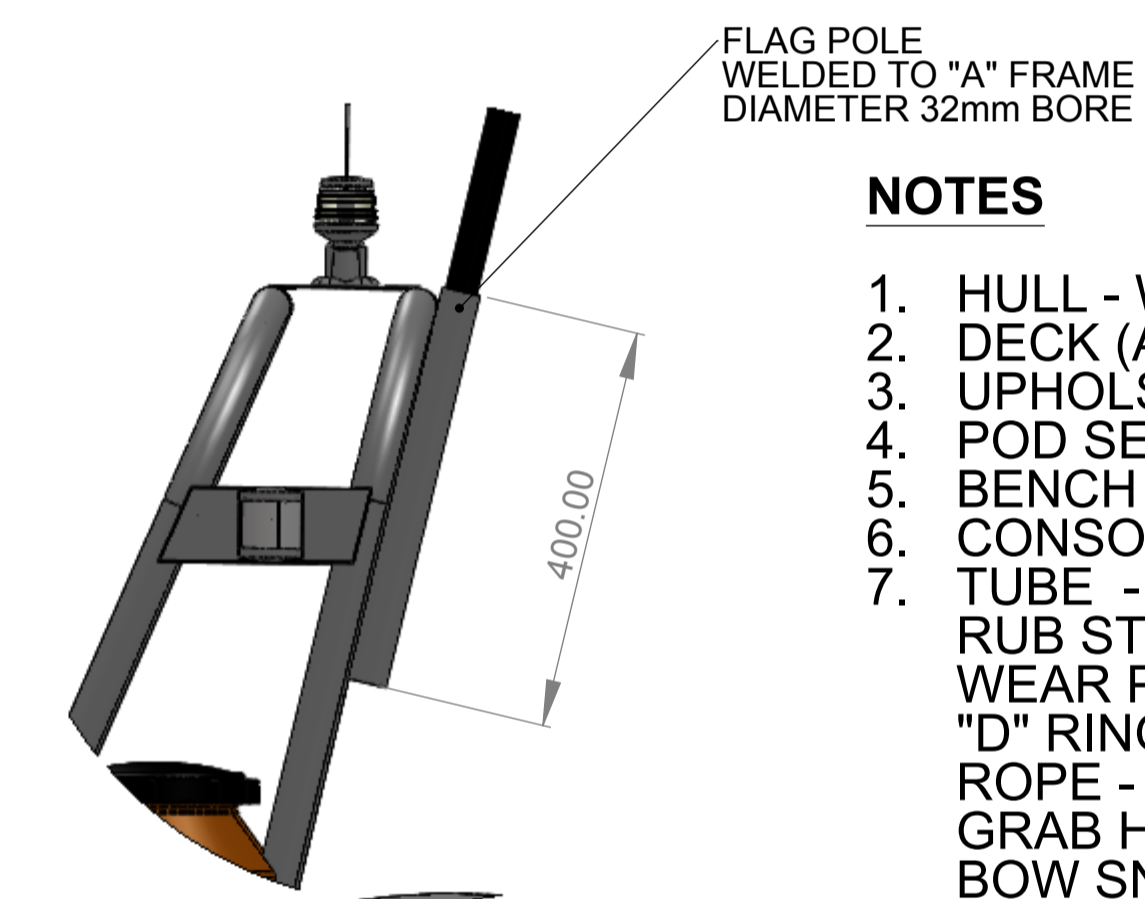


REVISIONS		
REV.	DESCRIPTION	DATE
1	FIRST ISSUE	21/08/2009
2	SINGLE SUMP WAS TWIN & TRUNKING MOVED TO RIGHTHAND SIDE	26/11/2009

# 5M DIVE BOAT



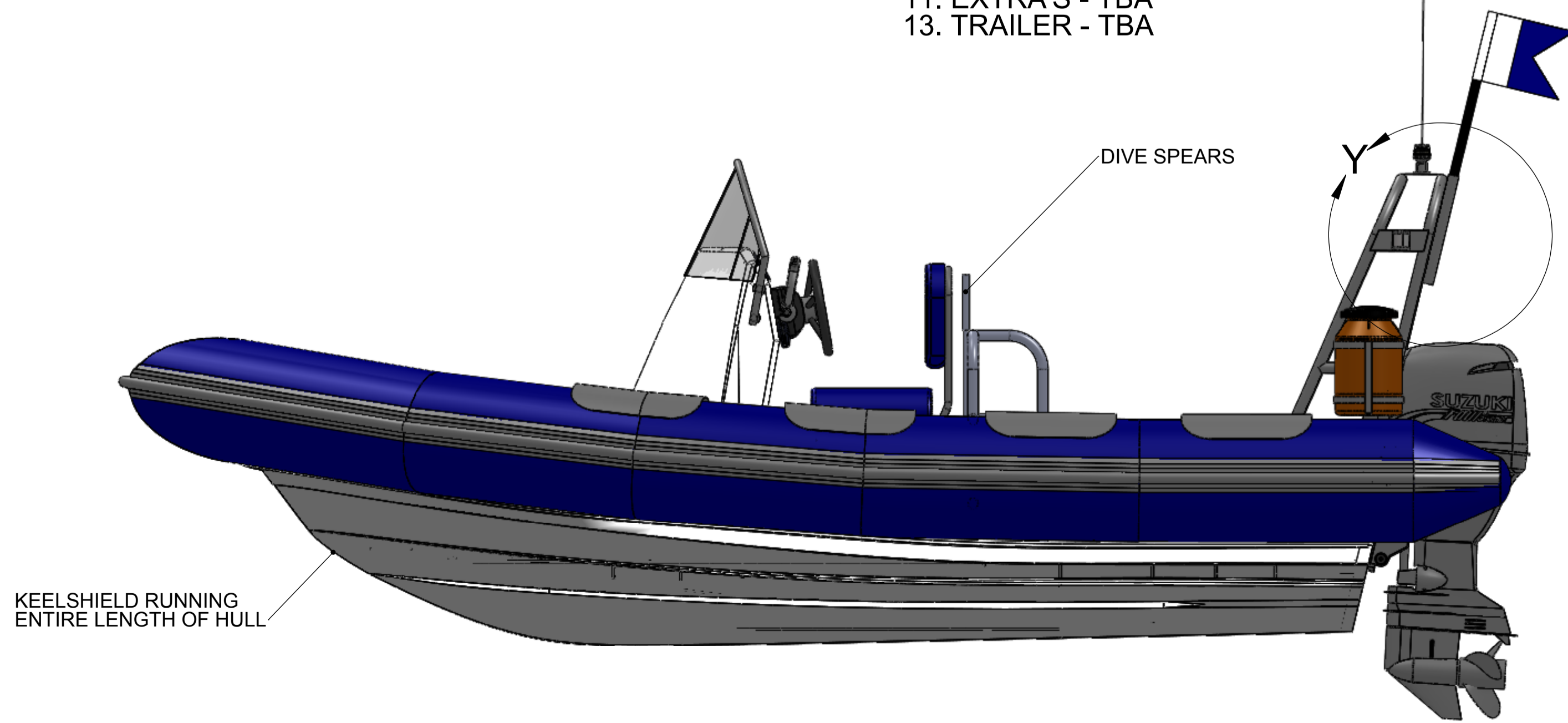
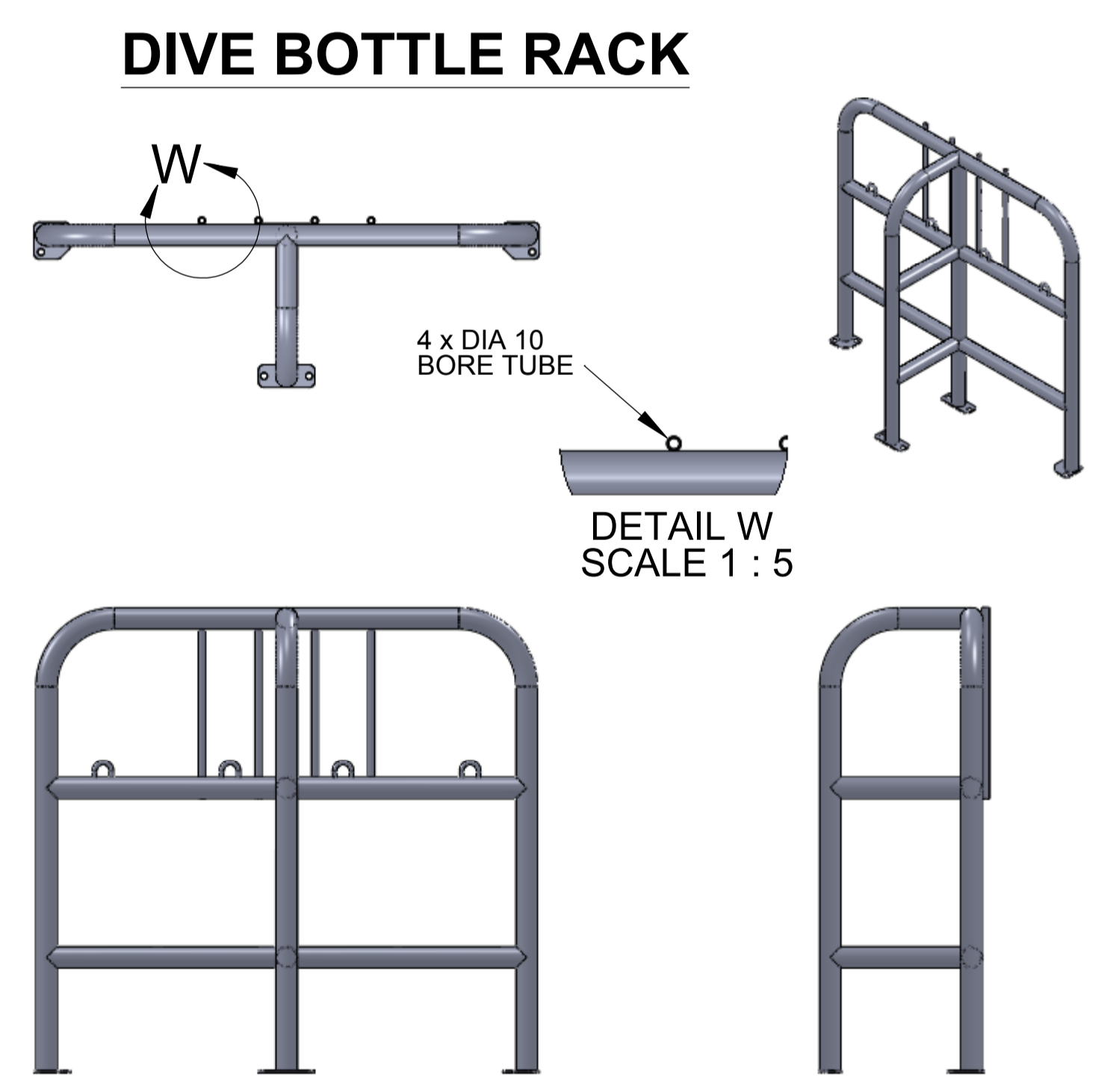
**DETAIL "X"**



**DETAIL Y**  
SCALE 2 : 15

**NOTES**

- HULL - WHITE
- DECK (ANTI-SLIP) - GREY
- UPHOLSTERY - BLUE
- POD SEATS - N/A
- BENCH SEAT - WHITE
- CONSOLE - WHITE
- TUBE - OCEAN BLUE  
RUB STRIP - GREY  
WEAR PADS - GREY  
"D" RING TUBE PADS - OCEAN BLUE  
ROPE - BLUE  
GRAB HANDLE - 4 x GREY RUBBER  
BOW SNUBBER - N/A  
SELF RIGHTING BAG - N/A  
LOGO - "SOLO"
- ALL TUBE WORK IS MIRROR POISHED  
316 GRADE STAINLESS STEEL
- TWIN 304 STAINLESS STEEL FUEL  
TANK MOUNTED UNDER DECK,  
12 GALLON (55 ltrs)
- UNDER DECK TRUNKING FOR  
CABLES
- EXTRA'S - TBA
- TRAILER - TBA



NAME: EDWARD CLOSE, HOUNDSTONE BUSINESS PARK  
 YEOVIL, SOMESSET, UK, BA22 8RU  
 Tel : 01935 411 846, Web : www.ribcraft.co.uk  
 email : sales@ribcraft.co.uk

GENERAL TOLERANCES UNLESS STATED OTHERWISE. ALL DIMENSIONS ARE IN MILLIMETERS	TITLE : 5m DIVE BOAT	TENDER No. : RFTQ2635	CRAFT : 4.8/5.0m	SHEET 2 OF 2
LINEAR : ± 0.5mm	FINISH : -	MASS : -	STOCK CODE : -	
ANGULAR : ± 5 DEGREES				
SURFACE FINISH : -				